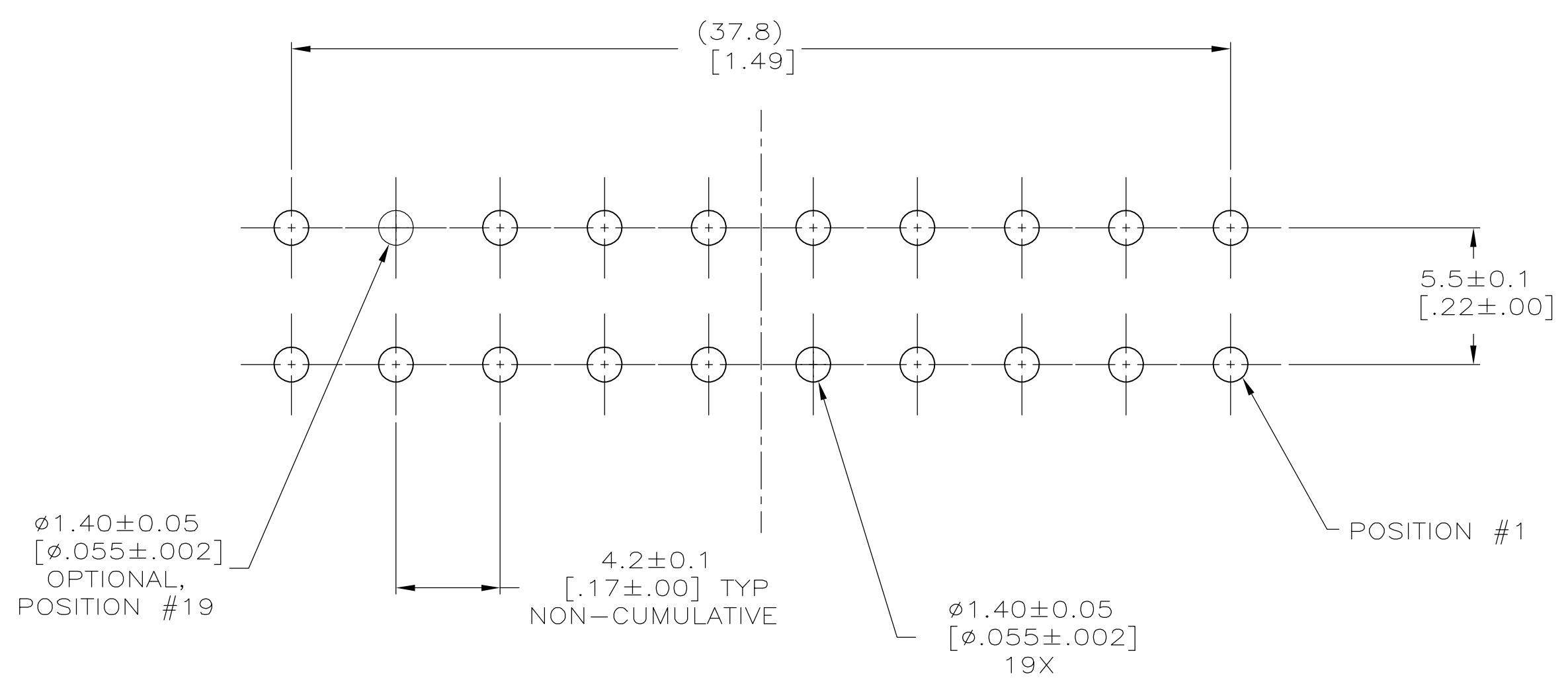
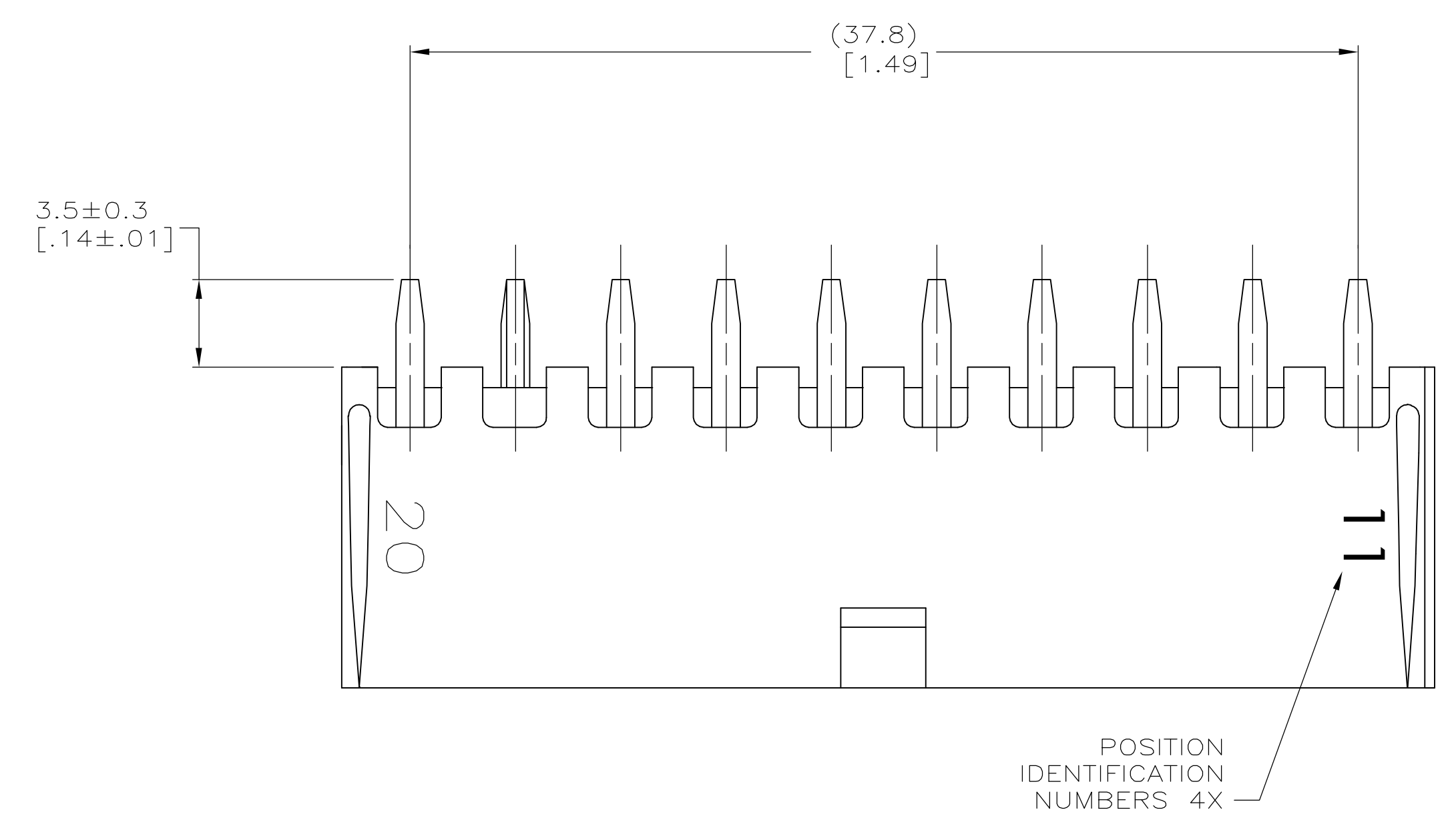
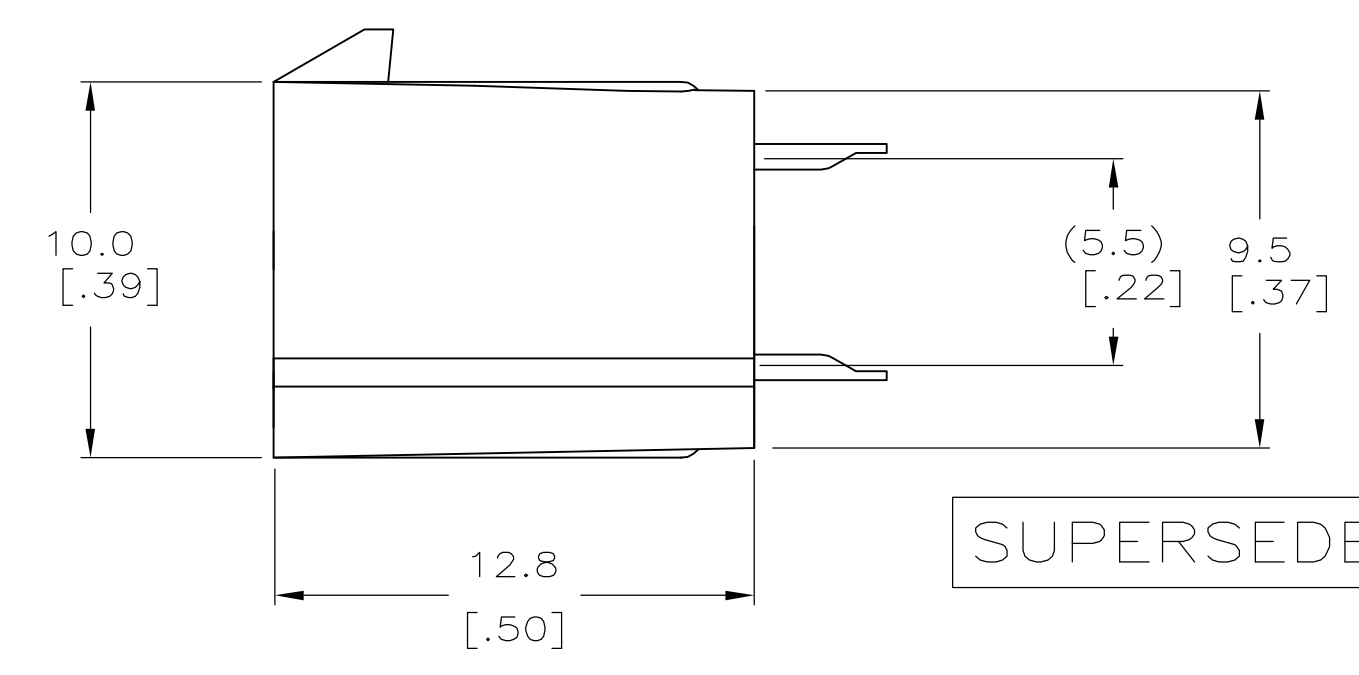
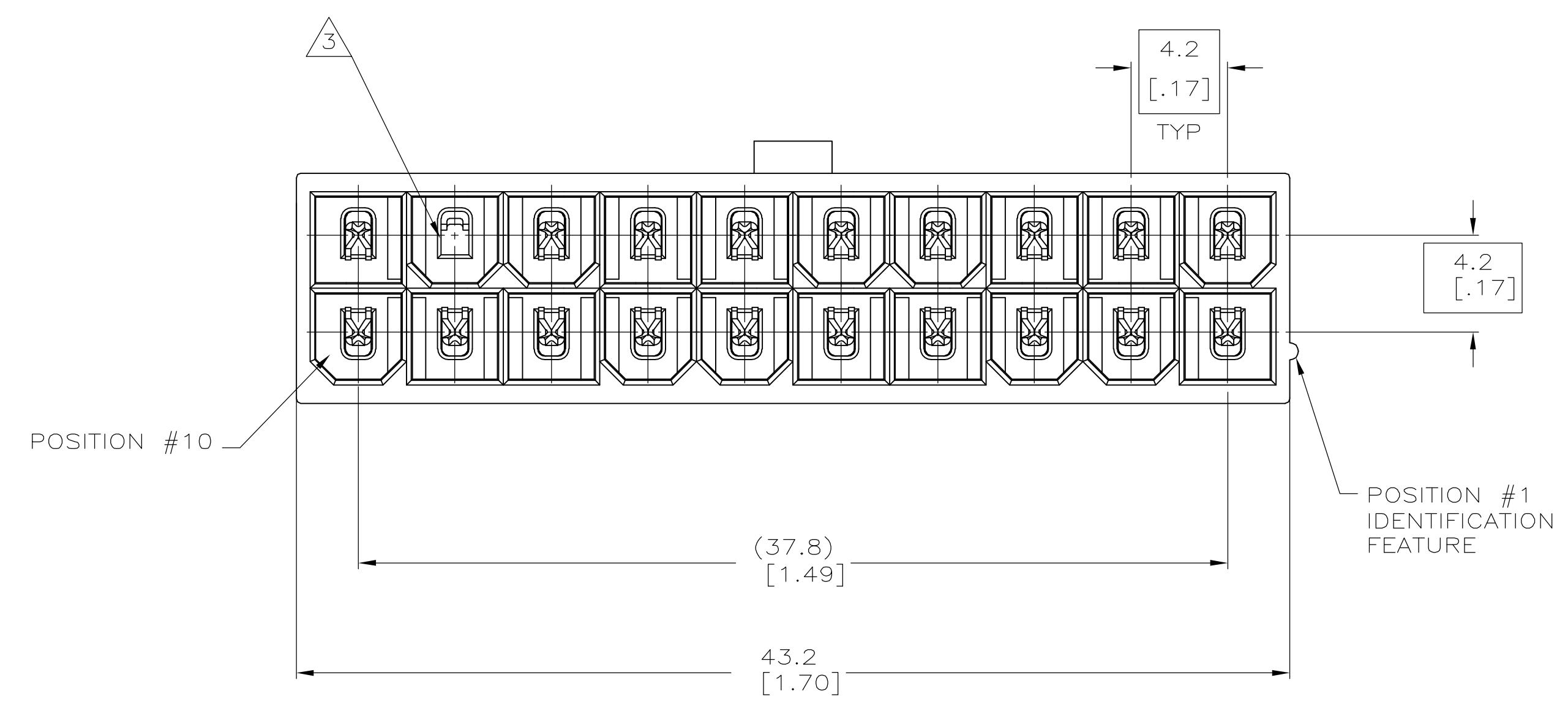


LOC		DIST		REVISIONS			
P	LTR	DESCRIPTION	DATE	OWN	APVD		
D		REVISED PER ECO-06-014773	14NOV06	KW	DC		



RECOMMENDED MOUNTING HOLE PATTERN FOR 1.78 [0.070] MAX THICK P.C. BOARD COMPONENT SIDE SHOWN

- 1 MATERIAL: HOUSING - NYLON, UL94V-0, COLOR - BLACK, (COLOR OF PARTS MAY VARY). CONTACT PIN - 0.25 [.010] THICK COPPER ALLOY.
- 2 CONTACT FINISH: 0.0030 [.000012] MINIMUM THICK TIN-LEAD OVER 0.00127 [.000050] MINIMUM THICK NICKEL OVER ENTIRE CONTACT.
- 3 CONTACT OMITTED FROM POSITION SHOWN.
- 4. SOLDER TAIL MEETS AMP SOLDERABILITY SPECIFICATION 109-11-2.
- 5. MATES WITH SIMILAR PLATED AMP-DUAC™ POWER CONNECTOR RECEPTACLE HOUSING/SOCKET CONTACTS.
- 6 CONTACT FINISH: 0.0030 [.00012] MINIMUM THICK TIN OVER 0.00127 [.000050] MINIMUM THICK NICKEL OVER ENTIRE CONTACT.



SUPERSEDED BY 1-794444-1

1	6	1	1	1-794444-1
1	2	1	1	794444-1
MATERIAL		FINISH		ASSEMBLY
PIN		HOUSING		

METRIC

THIS DRAWING IS A CONTROLLED DOCUMENT.

DIMENSIONS: mm [INCHES]	TOLERANCES UNLESS OTHERWISE SPECIFIED:	OWN: S. HOOVER 02-MAR-2005	Tyco Electronics Corporation Harrisburg, Pa 17105-3608
0 PLC ± .2 [0.1]	1 PLC ± 0.13 [0.005]	CHK: D. COLEY 02-MAR-2005	
MATERIAL: SEE CHART	ANGLES: ± 0° 30'	APVD: D. COLEY 02-MAR-2005	NAME: ASSEMBLY, VERTICAL HEADER, HIGH TEMP
		PRODUCT SPEC: 108-1699	20 POSITIONS, W/ DRAIN HOLES, CIRCUIT 19 OMITTED
		APPLICATION SPEC:	AMP-DUAC(TM) POWER CONNECTOR
		SIZE: A1	CAGE CODE: 00779
		WEIGHT:	DRAWING NO: 794444
		CUSTOMER DRAWING	RESTRICTED TO: D

SCALE: 5:1 SHEET 1 OF 1 REV D